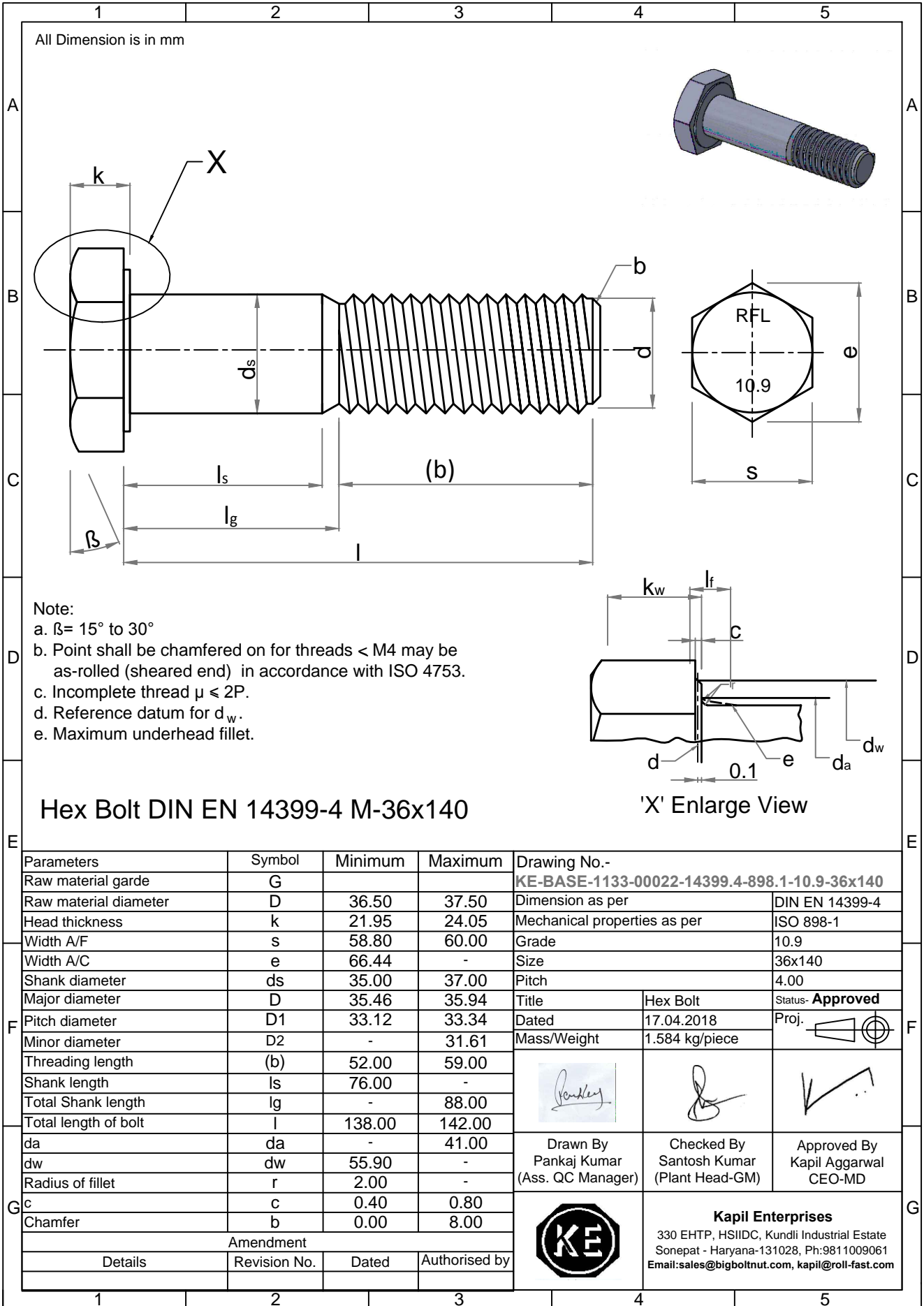


Note: This Drawing is the property of Kapil Enterprises-Kundli, and must not be copied or reproduced without permission or written authorisation by Kapil Enterprises-Kundli



- Note:
- a. $\beta = 15^\circ$ to 30°
 - b. Point shall be chamfered on for threads < M4 may be as-rolled (sheared end) in accordance with ISO 4753.
 - c. Incomplete thread $\mu \leq 2P$.
 - d. Reference datum for d_w .
 - e. Maximum underhead fillet.

Hex Bolt DIN EN 14399-4 M-36x140

'X' Enlarge View

| Parameters | Symbol | Minimum | Maximum | Drawing No. - | |
|-----------------------|----------------|---------|---------------|--|-----------------|
| Raw material grade | G | | | KE-BASE-1133-00022-14399.4-898.1-10.9-36x140 | |
| Raw material diameter | D | 36.50 | 37.50 | Dimension as per | DIN EN 14399-4 |
| Head thickness | k | 21.95 | 24.05 | Mechanical properties as per | ISO 898-1 |
| Width A/F | s | 58.80 | 60.00 | Grade | 10.9 |
| Width A/C | e | 66.44 | - | Size | 36x140 |
| Shank diameter | ds | 35.00 | 37.00 | Pitch | 4.00 |
| Major diameter | D | 35.46 | 35.94 | Title | Hex Bolt |
| Pitch diameter | D1 | 33.12 | 33.34 | Dated | 17.04.2018 |
| Minor diameter | D2 | - | 31.61 | Mass/Weight | 1.584 kg/piece |
| Threading length | (b) | 52.00 | 59.00 | | |
| Shank length | l _s | 76.00 | - | | |
| Total Shank length | l _g | - | 88.00 | | |
| Total length of bolt | l | 138.00 | 142.00 | Drawn By | Checked By |
| da | da | - | 41.00 | Pankaj Kumar | Santosh Kumar |
| dw | dw | 55.90 | - | (Ass. QC Manager) | (Plant Head-GM) |
| Radius of fillet | r | 2.00 | - | Approved By | Kapil Aggarwal |
| c | c | 0.40 | 0.80 | CEO-MD | |
| Chamfer | b | 0.00 | 8.00 | <p>Kapil Enterprises 330 EHTP, HSIIDC, Kundli Industrial Estate Sonepat - Haryana-131028, Ph:9811009061 Email:sales@bigboltnut.com, kapil@roll-fast.com</p> | |
| Amendment | | | | | |
| Details | Revision No. | Dated | Authorised by | | |