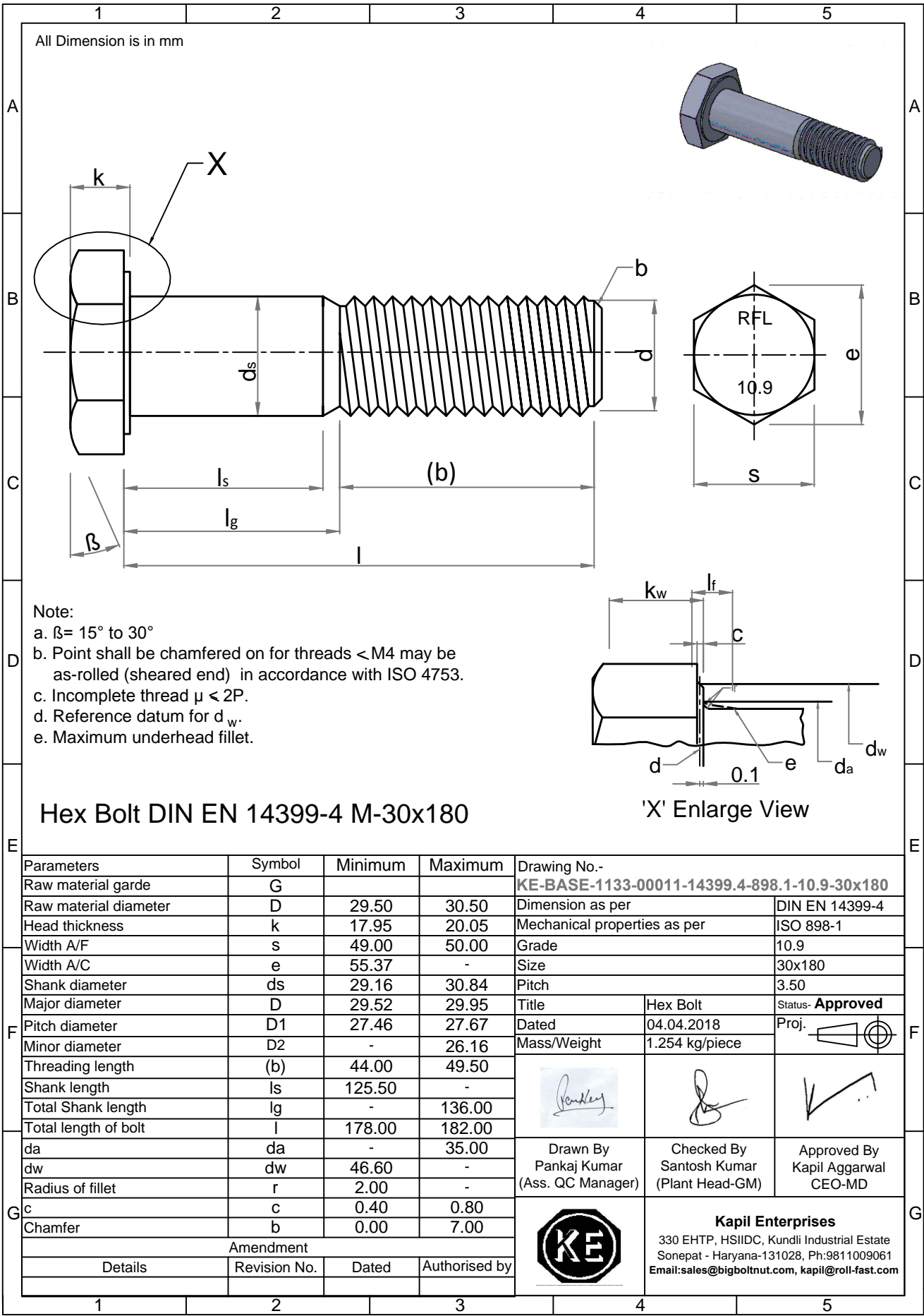


Note: This Drawing is the property of Kapil Enterprises-Kundli, and must not be copied or reproduced without permission or Written authorisation by Kapil Enterprises-Kundli



All Dimension is in mm

- Note:
- a. $\beta = 15^\circ$ to 30°
 - b. Point shall be chamfered on for threads $< M4$ may be as-rolled (sheared end) in accordance with ISO 4753.
 - c. Incomplete thread $\mu < 2P$.
 - d. Reference datum for d_w .
 - e. Maximum underhead fillet.

Hex Bolt DIN EN 14399-4 M-30x180

'X' Enlarge View

Parameters	Symbol	Minimum	Maximum
Raw material grade	G		
Raw material diameter	D	29.50	30.50
Head thickness	k	17.95	20.05
Width A/F	s	49.00	50.00
Width A/C	e	55.37	-
Shank diameter	ds	29.16	30.84
Major diameter	D	29.52	29.95
Pitch diameter	D1	27.46	27.67
Minor diameter	D2	-	26.16
Threading length	(b)	44.00	49.50
Shank length	ls	125.50	-
Total Shank length	lg	-	136.00
Total length of bolt	l	178.00	182.00
da	da	-	35.00
dw	dw	46.60	-
Radius of fillet	r	2.00	-
c	c	0.40	0.80
Chamfer	b	0.00	7.00
Amendment			
Details	Revision No.	Dated	Authorised by

Drawing No.- **KE-BASE-1133-00011-14399.4-898.1-10.9-30x180**

Dimension as per **DIN EN 14399-4**

Mechanical properties as per **ISO 898-1**

Grade **10.9**

Size **30x180**

Pitch **3.50**

Title **Hex Bolt** Status- **Approved**

Dated **04.04.2018** Proj.

Mass/Weight **1.254 kg/piece**

Drawn By
Pankaj Kumar
 (Ass. QC Manager)

Checked By
Santosh Kumar
 (Plant Head-GM)

Approved By
Kapil Aggarwal
 CEO-MD

Kapil Enterprises
 330 EHTP, HSIIDC, Kundli Industrial Estate
 Sonapat - Haryana-131028, Ph:9811009061
 Email:sales@bigboltnut.com, kapil@roll-fast.com