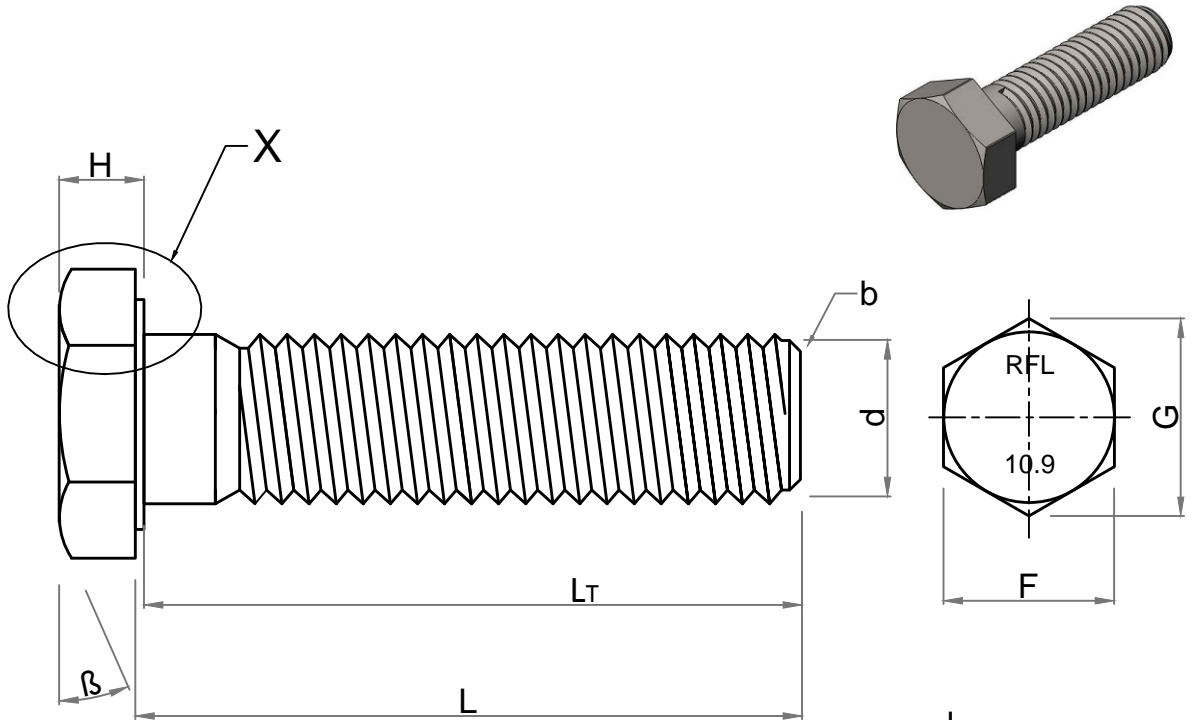


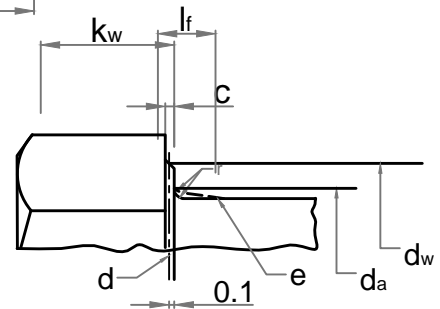
Note: This Drawing is the property of Kapil Enterprises-Kundli, and must not be copied or reproduced without permission or Written authorisation by Kapil Enterprises-Kundli

All Dimension is in mm



Note:

- a.  $\beta = 15^\circ$  to  $30^\circ$
- b. Point shall be chamfered on for threads  $< M4$  may be as-rolled (sheared end) in accordance with ISO 4753.
- c. Incomplete thread  $\mu < 2P$ .
- d. Reference datum for  $d_w$ .
- e. Maximum underhead fillet.



### Hex Bolt DIN EN ISO 4017 M-64x340

'X' Enlarge View

| Parameters            | Symbol       | Minimum     | Maximum       |
|-----------------------|--------------|-------------|---------------|
| Raw material diameter | D            | 64.50       | 65.50         |
| Head thickness        | k            | 39.50       | 40.50         |
| Width A/F             | s            | 92.80       | 95.00         |
| Width A/C             | e            | 104.86      | -             |
| Major diameter        | D            | 63.32       | 63.92         |
| Pitch diameter        | D1           | 59.74       | 60.02         |
| Minor diameter        | D2           | -           | 57.42         |
| Threading length      | (b)          | Full thread | Full thread   |
| Total length of bolt  | l            | 337.15      | 342.85        |
| $d_a$                 | $d_a$        | -           | 71.00         |
| $d_w$                 | $d_w$        | 88.16       | -             |
| Radius of fillet      | r            | 2.00        | -             |
| c                     | c            | 0.30        | 1.00          |
| Chamfer               | b            | 0.00        | 12.00         |
| Amendment             |              |             |               |
| Details               | Revision No. | Dated       | Authorised by |

|  |  |  |
|--|--|--|
| Drawing No.-<br><b>KE-BASE-1111-00210-4017-898.1-10.9-64x340</b> |  |  |
| Dimension as per   |  | ISO 4017   |
| Mechanical properties as per                                     |  | ISO 898-1  |
| Grade  |  | 10.9   |
| Size   |  | 64x340   |
| Pitch  |  | 6.00   |
| Title  | Hex Bolt   | Status- <b>Approved</b>  |
| Dated  | 23.04.2018   | Proj.  |
| Mass/Weight  | 10.600 kg/piece                                    |  |
| <br>Drawn By<br>Pankaj Kumar<br>(Ass. QC Manager)                | <br>Checked By<br>Santosh Kumar<br>(Plant Head-GM) | <br>Approved By<br>Kapil Aggarwal<br>CEO-MD  |
|  |  | <b>Kapil Enterprises</b><br>330 EHTP, HSIIDC, Kundli Industrial Estate<br>Sonapat - Haryana-131028, Ph:9811009061<br>Email:sales@bigboltnut.com, kapil@roll-fast.com |