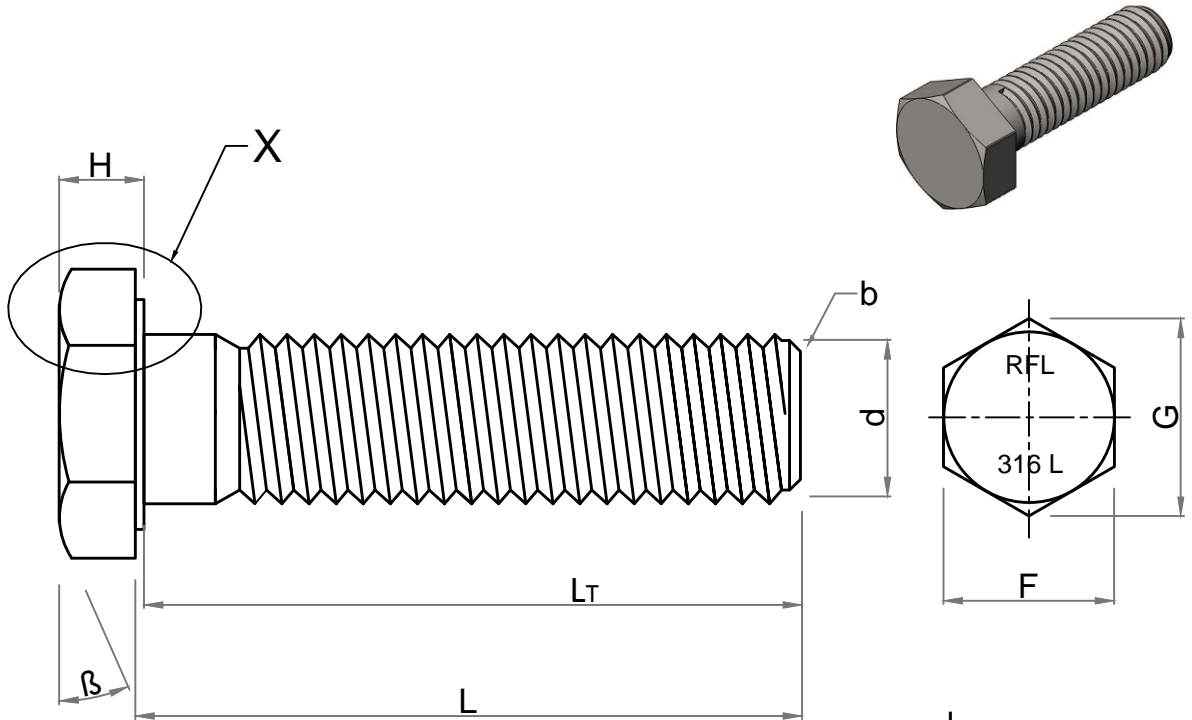


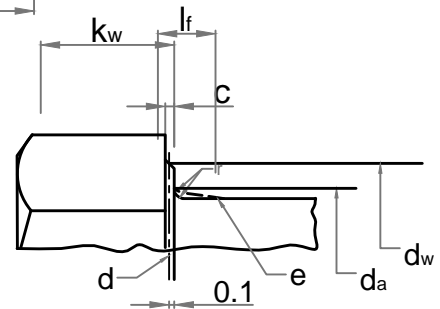
Note: This Drawing is the property of Kapil Enterprises-Kundli, and must not be copied or reproduced without permission or Written authorisation by Kapil Enterprises-Kundli

All Dimension is in mm



Note:

- a. $\beta = 15^\circ$ to 30°
- b. Point shall be chamfered on for threads $< M4$ may be as-rolled (sheared end) in accordance with ISO 4753.
- c. Incomplete thread $\mu < 2P$.
- d. Reference datum for d_w .
- e. Maximum underhead fillet.



Hex Bolt DIN EN ISO 4017 M-64x200

'X' Enlarge View

Parameters	Symbol	Minimum	Maximum
Raw material diameter	D	64.50	65.50
Head thickness	k	39.50	40.50
Width A/F	s	92.80	95.00
Width A/C	e	104.86	-
Major diameter	D	63.32	63.92
Pitch diameter	D1	59.74	60.02
Minor diameter	D2	-	57.42
Threading length	(b)	Full thread	Full thread
Total length of bolt	l	197.70	202.30
d_a	d_a	-	71.00
d_w	d_w	88.16	-
Radius of fillet	r	2.00	-
c	c	0.30	1.00
Chamfer	b	0.00	12.00
Amendment			
Details	Revision No.	Dated	Authorised by

Drawing No.- KE-BASE-1111-00203-4017-3506.1-316L-64x200		
Dimension as per		ISO 4017
Mechanical properties as per		ISO 3506-1
Grade		SS 316L
Size		64x200
Pitch		6.00
Title	Hex Bolt	Status- Approved
Dated	23.04.2018	Proj.
Mass/Weight	7.160 kg/piece	
Drawn By Pankaj Kumar (Ass. QC Manager)	Checked By Santosh Kumar (Plant Head-GM)	Approved By Kapil Aggarwal CEO-MD
Kapil Enterprises 330 EHTP, HSIIDC, Kundli Industrial Estate Sonapat - Haryana-131028, Ph:9811009061 Email:sales@bigboltnut.com, kapil@roll-fast.com		