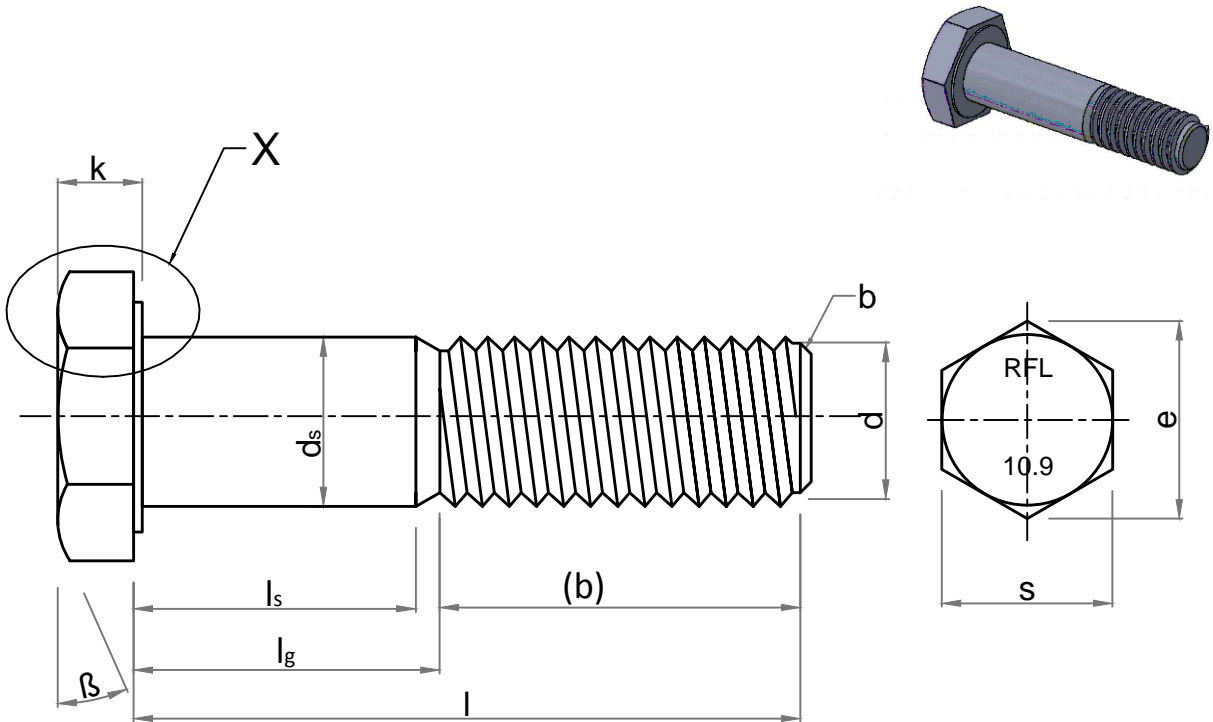


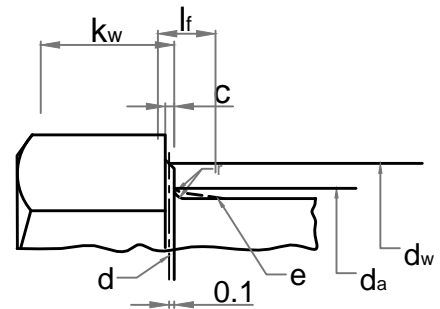
Note: This Drawing is the property of Kapil Enterprises-Kundli, and must not be copied or reproduced without permission or written authorisation by Kapil Enterprises-Kundli

All Dimension is in mm



Note:

- a.  $\beta = 15^\circ$  to  $30^\circ$
- b. Point shall be chamfered on for threads  $< M4$  may be as-rolled (sheared end) in accordance with ISO 4753.
- c. Incomplete thread  $\mu < 2P$ .
- d. Reference datum for  $d_w$ .
- e. Maximum underhead fillet.



### Hex Bolt DIN EN ISO 4014 M-30x160

'X' Enlarge View

Parameters	Symbol	Minimum	Maximum
Raw material diameter	D	29.50	30.50
Head thickness	k	18.28	19.12
Width A/F	s	45.00	46.00
Width A/C	e	50.85	-
Shank diameter	ds	29.48	30.00
Major diameter	D	29.52	29.95
Pitch diameter	D1	27.46	27.67
Minor diameter	D2	-	26.16
Threading length	(b)	72.00	73.00
Shank length	ls	70.50	-
Total Shank length	lg	-	88.00
Total length of bolt	l	158.00	162.00
da	da	-	33.40
dw	dw	42.75	-
Radius of fillet	r	1.00	-
c	c	0.20	0.80
Chamfer	b	0.00	7.00

Drawing No.- <b>KE-BASE-1100-00068-4014-898.1-10.9-30x160</b>		
Dimension as per		ISO 4014
Mechanical properties as per		ISO 898-1
Grade		10.9
Size		30x160
Pitch		3.5
Title	Hex Bolt	Status- <b>Approved</b>
Dated	04.04.2018	Proj.
Mass/Weight	1.085 kg/piece	
Drawn By Pankaj Kumar (Ass. QC Manager)	Checked By Santosh Kumar (Plant Head-GM)	Approved By Kapil Aggarwal CEO-MD
<b>Kapil Enterprises</b> 330 EHTP, HSIIDC, Kundli Industrial Estate Sonepat - Haryana-131028, Ph:9811009061 Email:sales@bigboltnut.com, kapil@roll-fast.com		
Amendment		
Details	Revision No.	Dated
		Authorised by