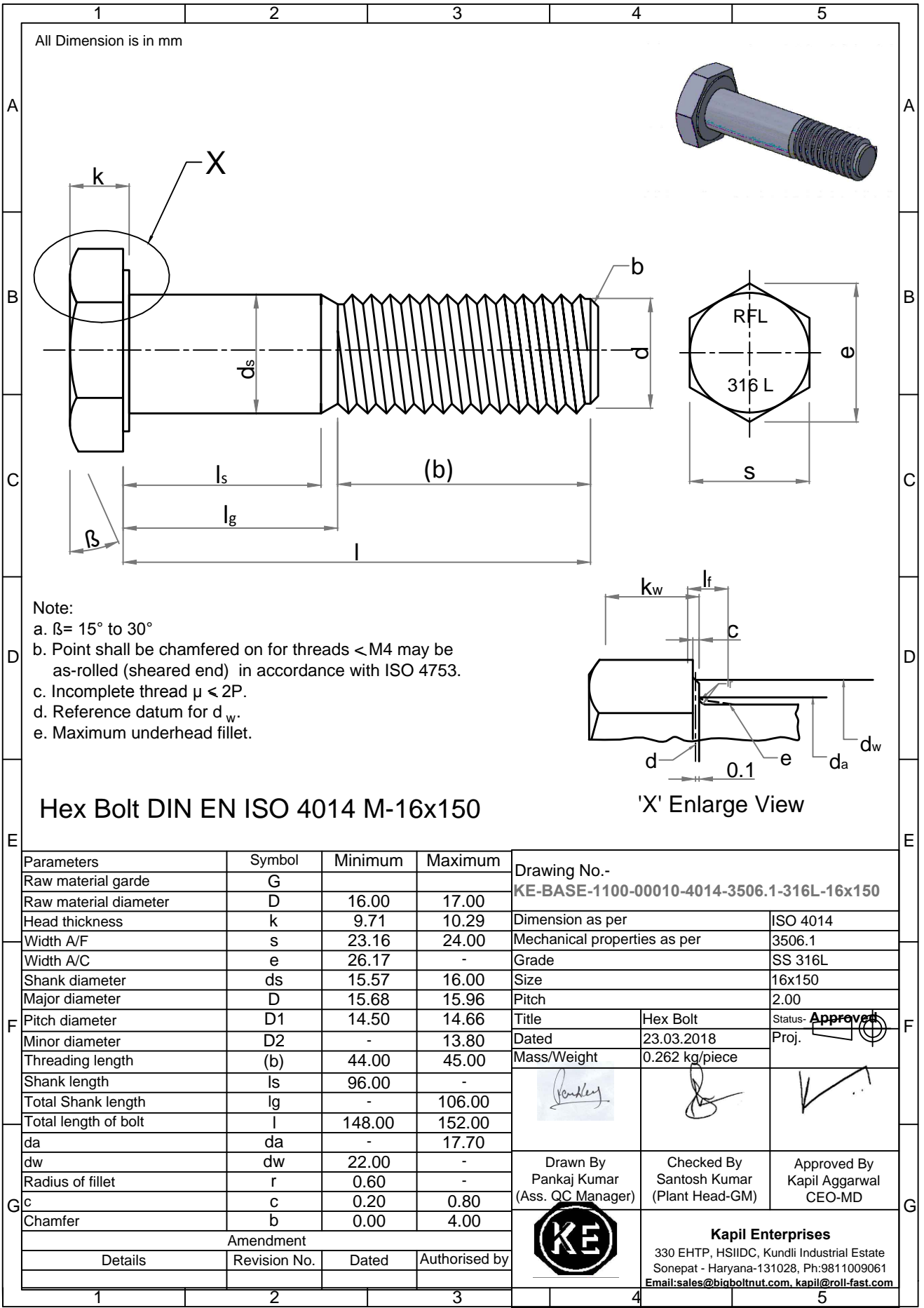


Note: This Drawing is the property of Kapil Enterprises-Kundli, and must not be copied or reproduced without permission or written authorisation by Kapil Enterprises-Kundli



**Hex Bolt DIN EN ISO 4014 M-16x150**

**'X' Enlarge View**

Parameters	Symbol	Minimum	Maximum
Raw material grade	G		
Raw material diameter	D	16.00	17.00
Head thickness	k	9.71	10.29
Width A/F	s	23.16	24.00
Width A/C	e	26.17	-
Shank diameter	ds	15.57	16.00
Major diameter	D	15.68	15.96
Pitch diameter	D1	14.50	14.66
Minor diameter	D2	-	13.80
Threading length	(b)	44.00	45.00
Shank length	l <sub>s</sub>	96.00	-
Total Shank length	l <sub>g</sub>	-	106.00
Total length of bolt	l	148.00	152.00
da	da	-	17.70
dw	dw	22.00	-
Radius of fillet	r	0.60	-
c	c	0.20	0.80
Chamfer	b	0.00	4.00
Amendment			
Details	Revision No.	Dated	Authorised by

Drawing No.- <b>KE-BASE-1100-00010-4014-3506.1-316L-16x150</b>		
Dimension as per		ISO 4014
Mechanical properties as per		3506.1
Grade		SS 316L
Size		16x150
Pitch		2.00
Title	Hex Bolt	Status- <b>Approved</b>
Dated	23.03.2018	Proj.
Mass/Weight	0.262 kg/piece	
Drawn By Pankaj Kumar (Ass. QC Manager)	Checked By Santosh Kumar (Plant Head-GM)	Approved By Kapil Aggarwal CEO-MD
<b>Kapil Enterprises</b> 330 EHTP, HSIIDC, Kundli Industrial Estate Sonapat - Haryana-131028, Ph:9811009061 Email:sales@bigboltnut.com, kapil@roll-fast.com		