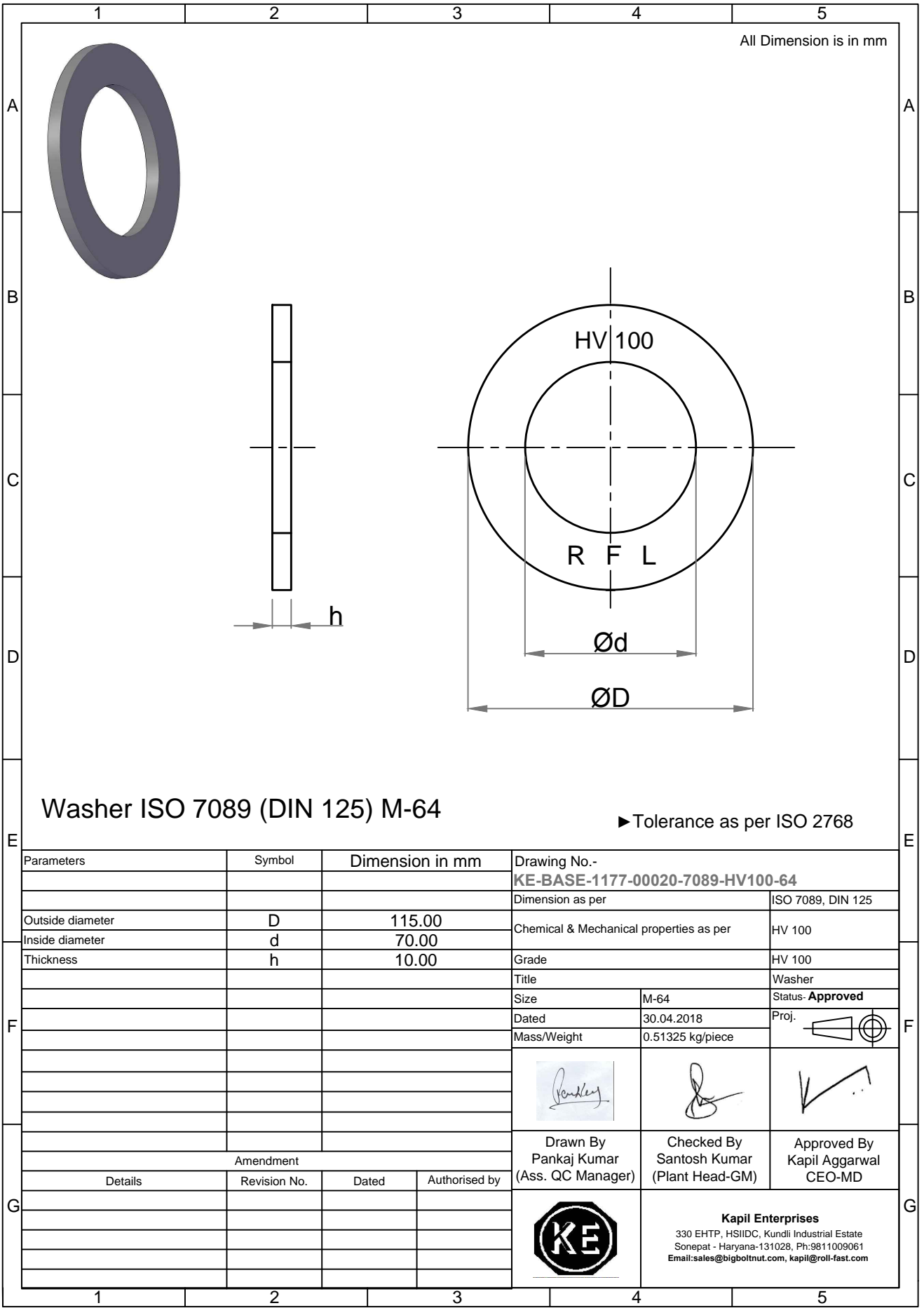


Note: This Drawing is the property of Kapil Enterprises-Kundli, and must not be copied or reproduced without permission or Written authorisation by Kapil Enterprises-Kundli



All Dimension is in mm

**Washer ISO 7089 (DIN 125) M-64**

► Tolerance as per ISO 2768

Parameters	Symbol	Dimension in mm
Outside diameter	D	115.00
Inside diameter	d	70.00
Thickness	h	10.00
Amendment		
Details	Revision No.	Dated
		Authorised by

Drawing No.- <b>KE-BASE-1177-00020-7089-HV100-64</b>	
Dimension as per	ISO 7089, DIN 125
Chemical & Mechanical properties as per	HV 100
Grade	HV 100
Title	Washer
Size	M-64
Dated	30.04.2018
Mass/Weight	0.51325 kg/piece
<b>Drawn By</b> Pankaj Kumar (Ass. QC Manager)	<b>Checked By</b> Santosh Kumar (Plant Head-GM)
<b>Approved By</b> Kapil Aggarwal CEO-MD	
<b>Kapil Enterprises</b> 330 EHTP, HSIIDC, Kundli Industrial Estate Sonapat - Haryana-131028, Ph:9811009061 Email:sales@bigboltnut.com, kapil@roll-fast.com	