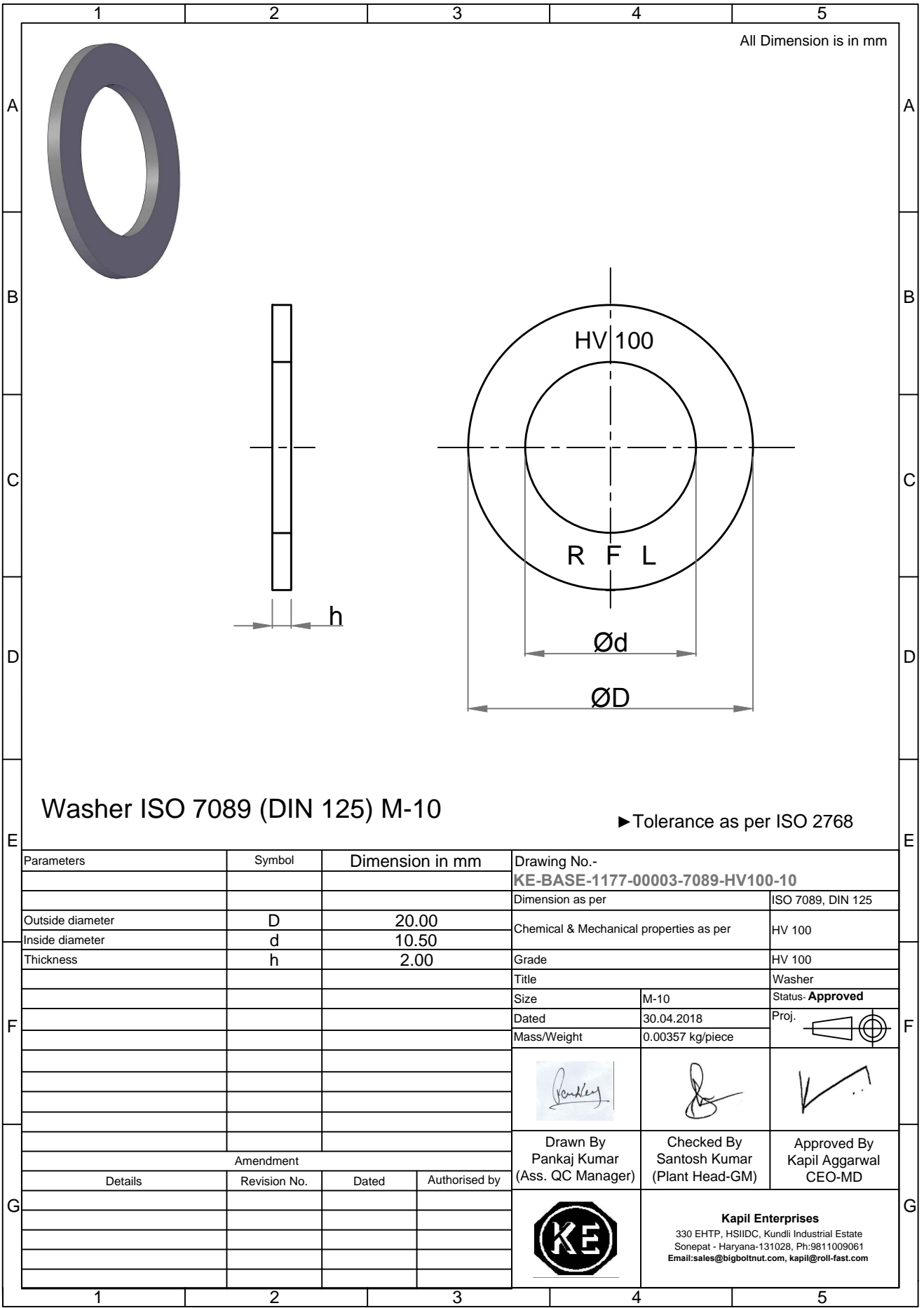


Note: This Drawing is the property of Kapil Enterprises-Kundli, and must not be copied or reproduced without permission or Written authorisation by Kapil Enterprises-Kundli



All Dimension is in mm

Washer ISO 7089 (DIN 125) M-10

► Tolerance as per ISO 2768

Parameters		Symbol		Dimension in mm		Drawing No.- KE-BASE-1177-00003-7089-HV100-10	
						Dimension as per ISO 7089, DIN 125	
Outside diameter		D		20.00		Chemical & Mechanical properties as per HV 100	
Inside diameter		d		10.50		Grade HV 100	
Thickness		h		2.00		Title Washer	
						Size M-10 Status- Approved	
						Dated 30.04.2018 Proj.	
						Mass/Weight 0.00357 kg/piece	
						 Drawn By Pankaj Kumar (Ass. QC Manager)	
						 Checked By Santosh Kumar (Plant Head-GM)	
						 Approved By Kapil Aggarwal CEO-MD	
						 Kapil Enterprises 330 EHTP, HSIIDC, Kundli Industrial Estate Sonapat - Haryana-131028, Ph:9811009061 Email:sales@bigboltnut.com, kapil@roll-fast.com	
Amendment		Revision No.		Dated		Authorised by	
Details							