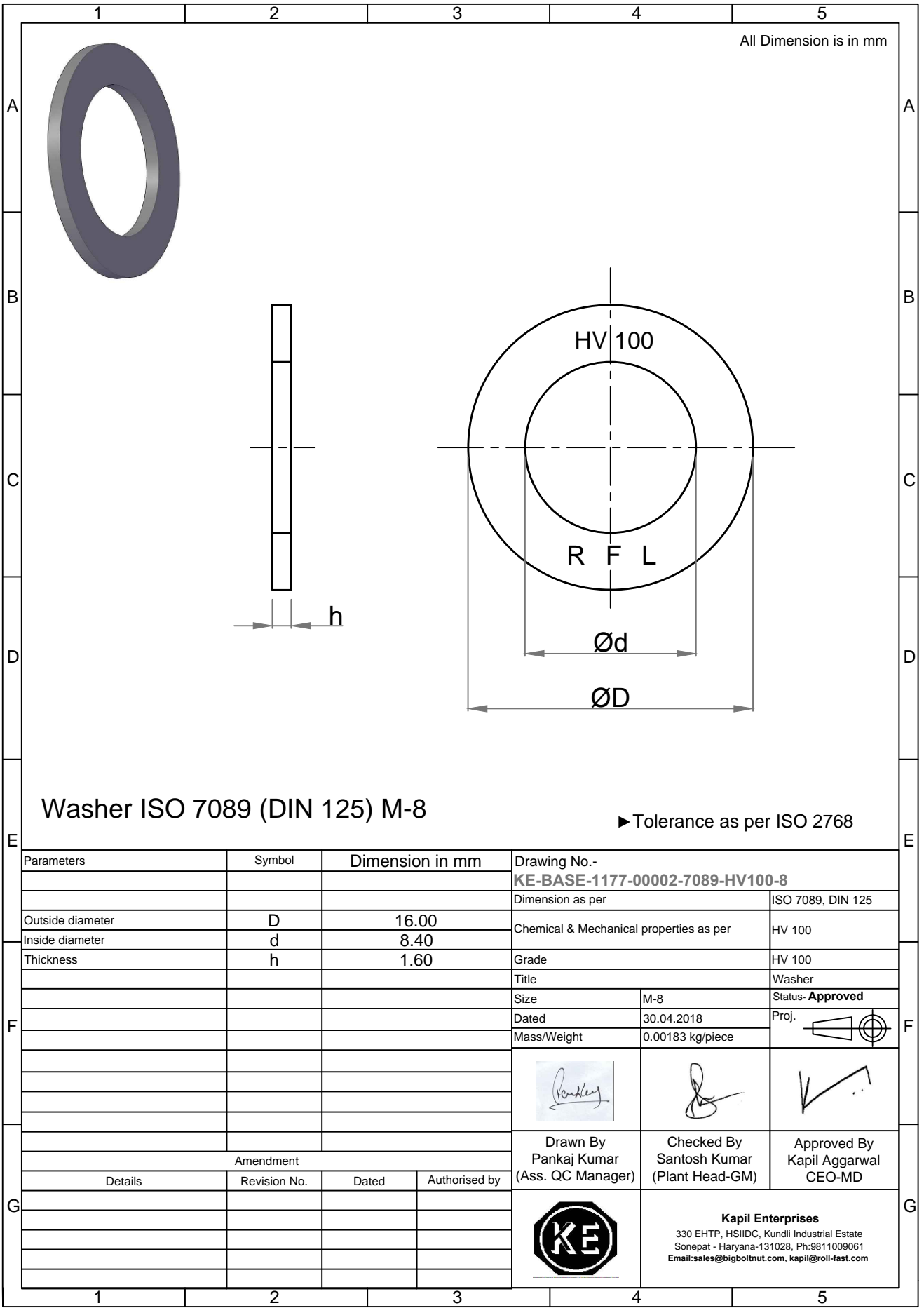


Note: This Drawing is the property of Kapil Enterprises-Kundli, and must not be copied or reproduced without permission or Written authorisation by Kapil Enterprises-Kundli



All Dimension is in mm

**Washer ISO 7089 (DIN 125) M-8**

► Tolerance as per ISO 2768

Parameters		Symbol		Dimension in mm		Drawing No.- <b>KE-BASE-1177-00002-7089-HV100-8</b>	
						Dimension as per ISO 7089, DIN 125	
Outside diameter		D		16.00		Chemical & Mechanical properties as per HV 100	
Inside diameter		d		8.40		Grade HV 100	
Thickness		h		1.60		Title Washer	
						Size M-8 Status- <b>Approved</b>	
						Dated 30.04.2018 Proj.	
						Mass/Weight 0.00183 kg/piece	
						Drawn By Pankaj Kumar (Ass. QC Manager)                   Checked By Santosh Kumar (Plant Head-GM)                   Approved By Kapil Aggarwal CEO-MD	
						<b>Kapil Enterprises</b> 330 EHTP, HSIIDC, Kundli Industrial Estate Sonapat - Haryana-131028, Ph:9811009061 Email:sales@bigboltnut.com, kapil@roll-fast.com	
Amendment		Revision No.		Dated		Authorised by	
Details							